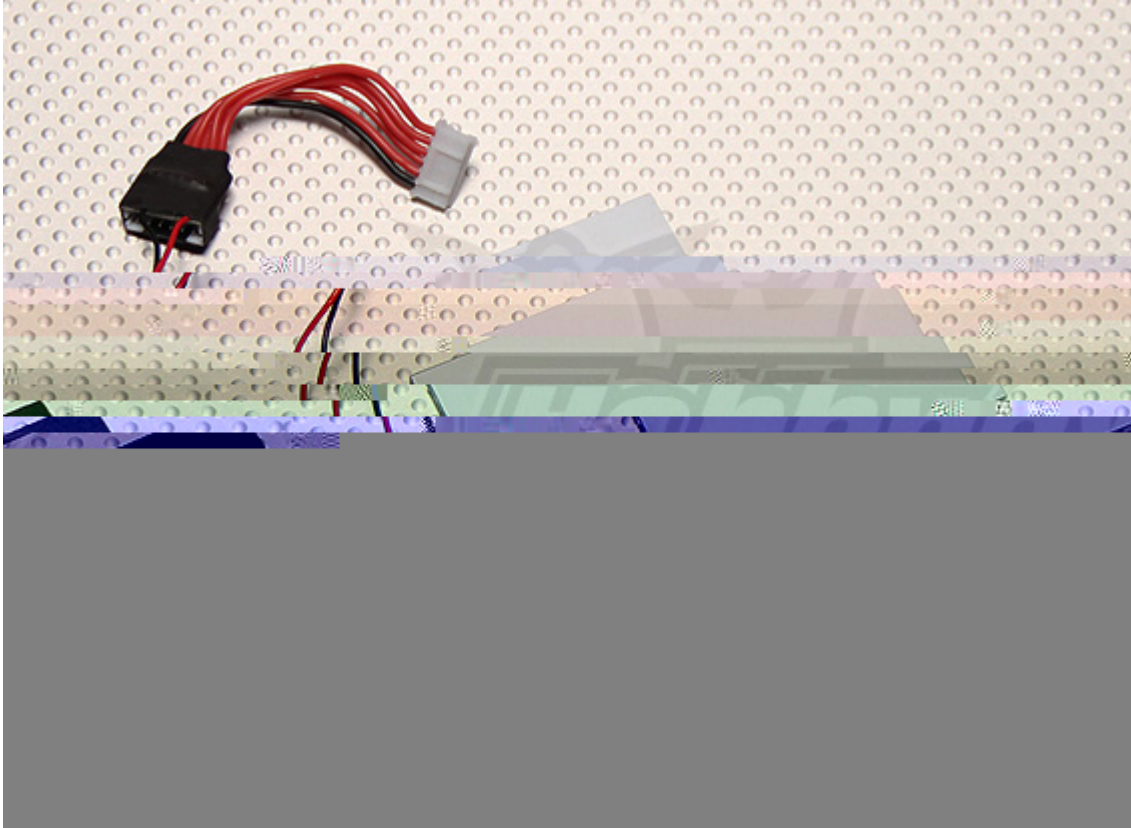
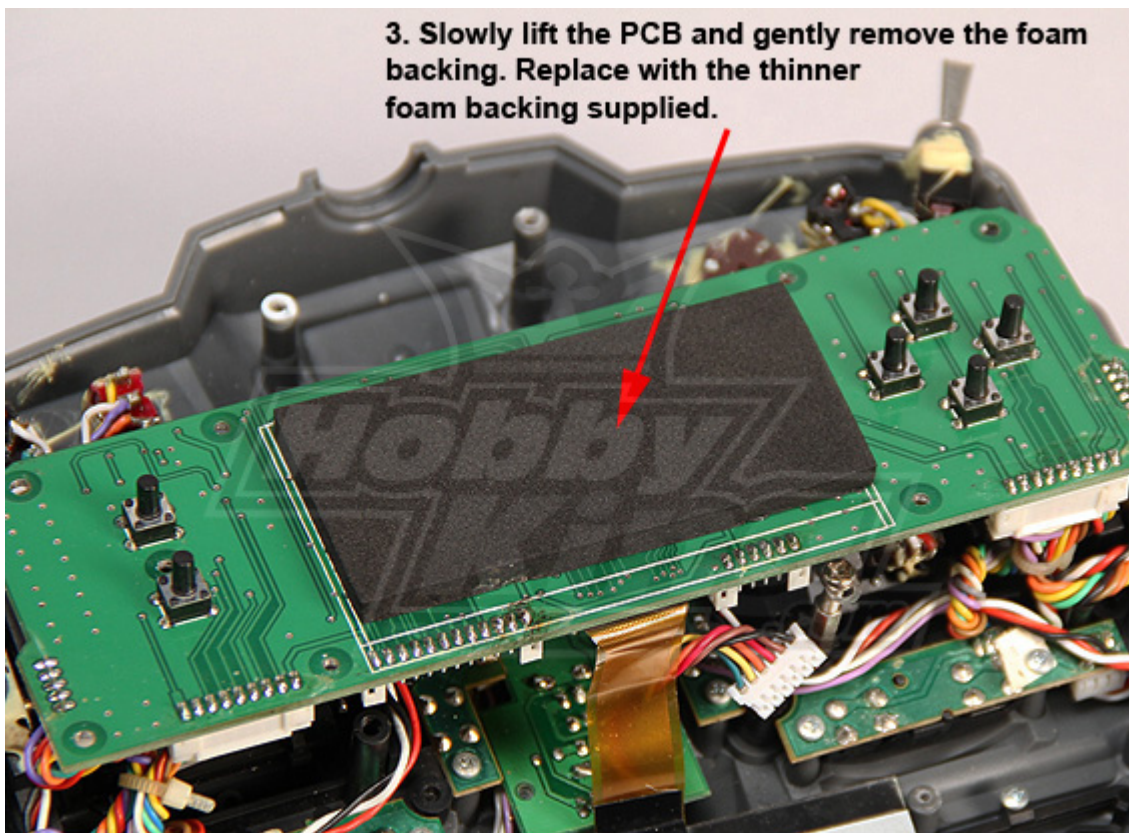
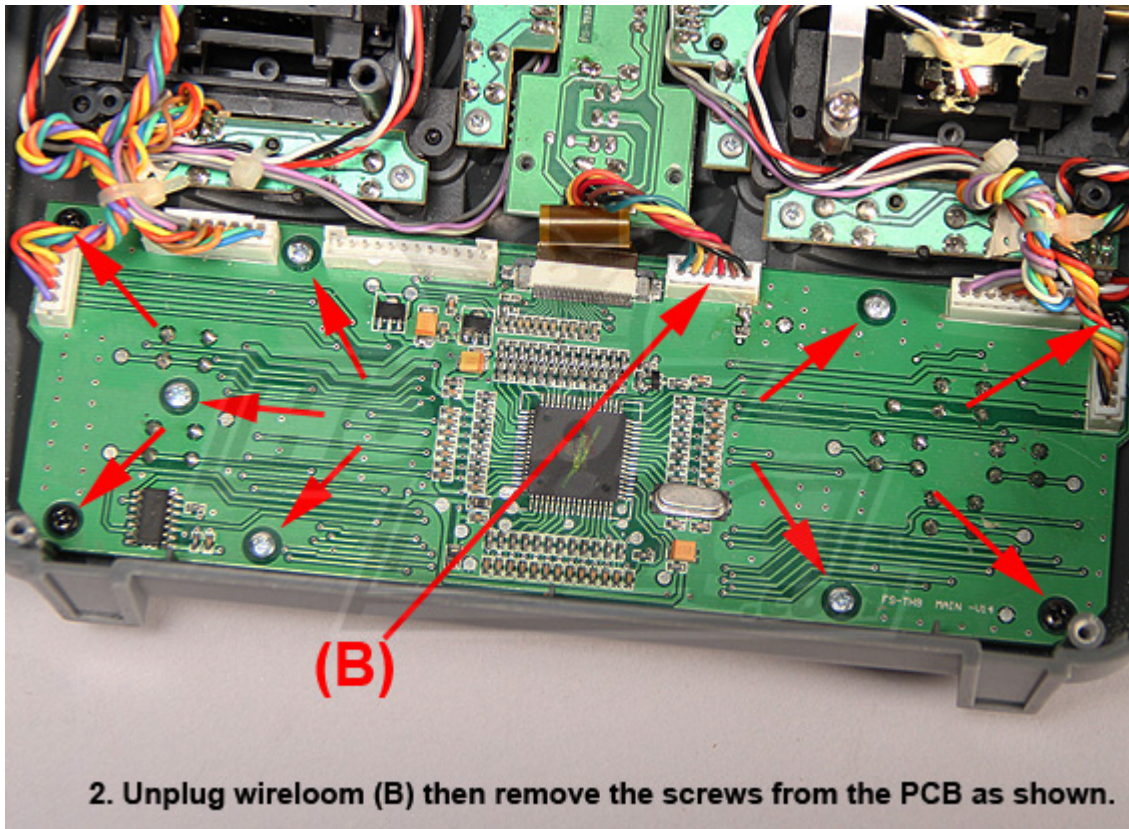
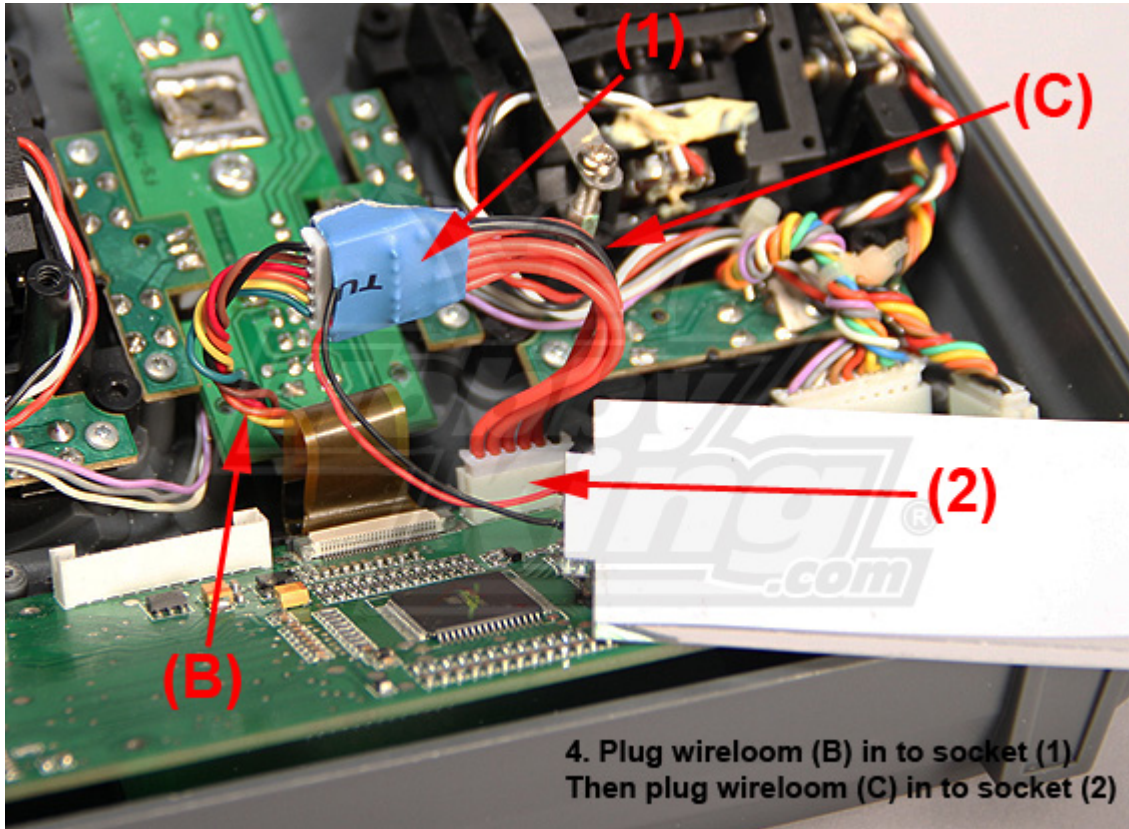


## Installing DIY Backlight in 9x Transmitter









4. Plug wireloom (B) in to socket (1)  
Then plug wireloom (C) in to socket (2)



5. Place the backlight panel  
above the LCD.

